



Zomacton 10 Mg Pen - Zomacton Uses, Side Effects & Warnings

Zomacton is used to treat growth failure in children and adults who lack natural growth This includes people with short stature due to Turner syndrome, short stature at birth with no catch-up growth, and other Zomacton may also be used for purposes not listed in this medication Warnings

100% SECURE ONLINE ANABOLIC STEROIDS SHOP

ORAL | INJECTABLE | HGH | WEIGHT LOSS | PEPTIDES | PCT

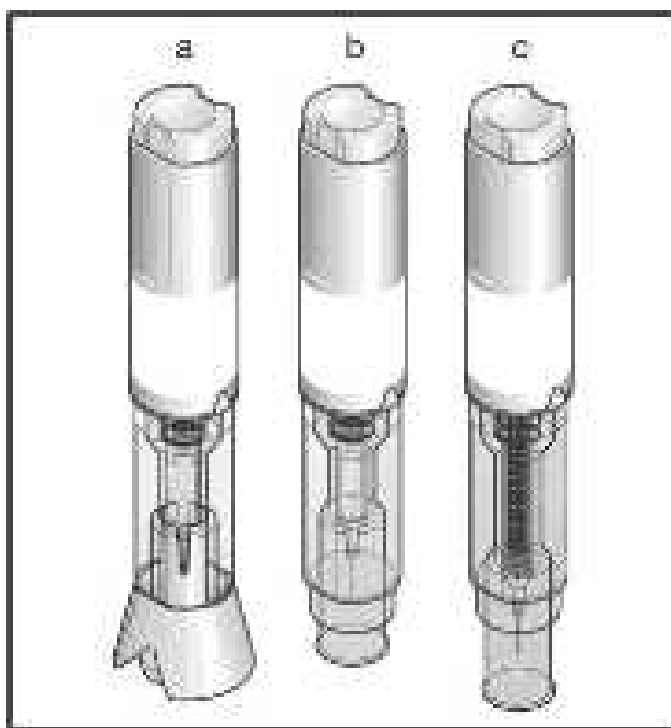
WE SHIP WORLDWIDE

100% SECURE TRANSACTION
SSL
TRANSACTION

? CHECK OUT OUR STORE: <https://t.co/tJCDgFonCJ>

Description Reviews (17) ZOMACTON Zomacton[somatropin (rDNA origin)] for Injection is a form of growth hormone used to treat children who have growth failure due to an inadequate secretion of normal endogenous growth Uses

Zomacton 10 mg/ml - Prospect medicament



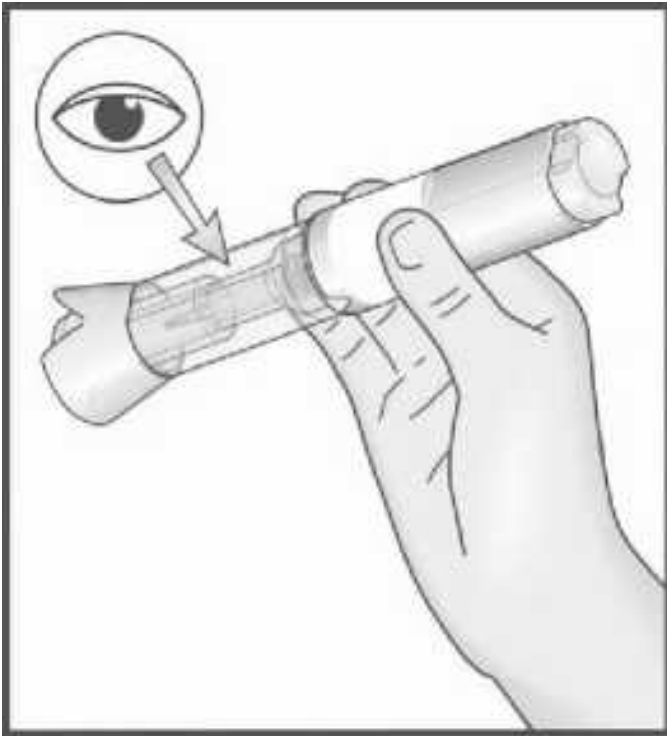
Un flacon cu pulbere pentru soluție injectabilă Zomacton conține ca substanță activă somatropină produsă prin inginerie genetică din coli 10 mg (10 mg/ml după reconstituire cu solvent) Somatotropina face parte din clasa hormonilor Ca excipienți, Zomacton conține: Pulbere pentru soluție injectabilă Manitol

Zomacton 4mg Injection - Summary of Product - medicines



Zomacton 4 mg, powder and solvent for solution for injection Qualitative and quantitative The required ZOMACTON dose is administered by using the Ferring-Pen (a needle device) or alternatively a conventional Single dose toxicity studies were performed in rats (intramuscular application of 10 mg/kg), dogs

Zomacton: Gukoresha, Ingaruka Zuruhande, Imikoreshereze, Kwirinda



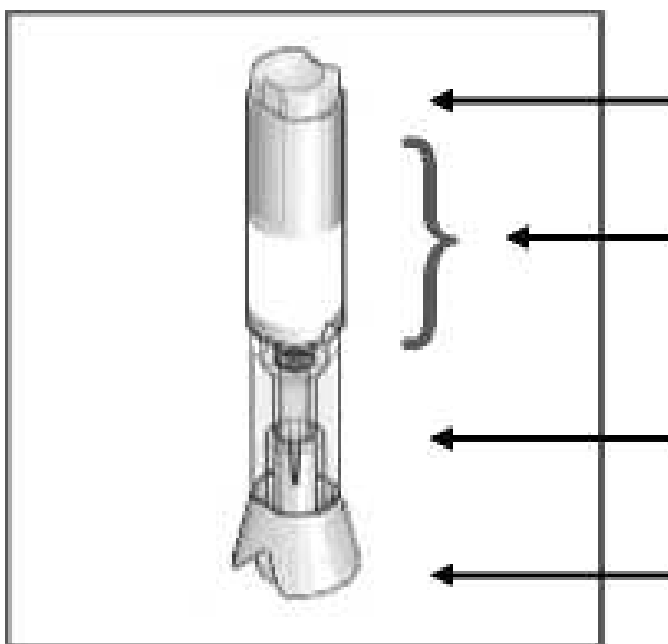
Zomacton (somatropin) ni imiti yatewe inshinge yemejwe n'ikigo cy'Amerika gishinzwe ibiryo n'ibiyobyabwenge (FDA) mu kuvura abantu bakuru n'abana bafite imisemburo Kubura imisemburo ikura birashobora gutera ibimenyetso bitandukanye, harimo uburebure buke mubana hamwe nihindagurika ryibiro kubantu

Zomacton 10 mg | eTabletka



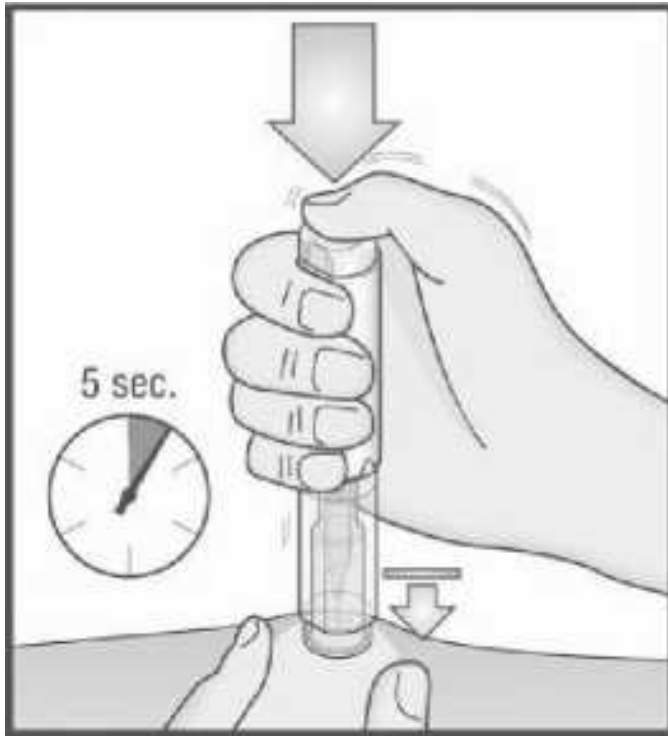
Dávkovanie a dávkovacie schémy Dávkovanie a schéma podávania sú individuá Dĺžka liečby, obvykle ide o obdobie niekoľkých rokov, závisí od maximálne dosiahnuteľného liečebného ú Nedostatočná sekrécia rastového hormónu u detí: U detí sa obvykle podáva podkožne v dávke 0,17-0,23 mg/kg telesnej hmotnosti za týždeň (čo zodpovedá približne 4,9-6,9

Usos, efectos secundarios y advertencias de Zomacton



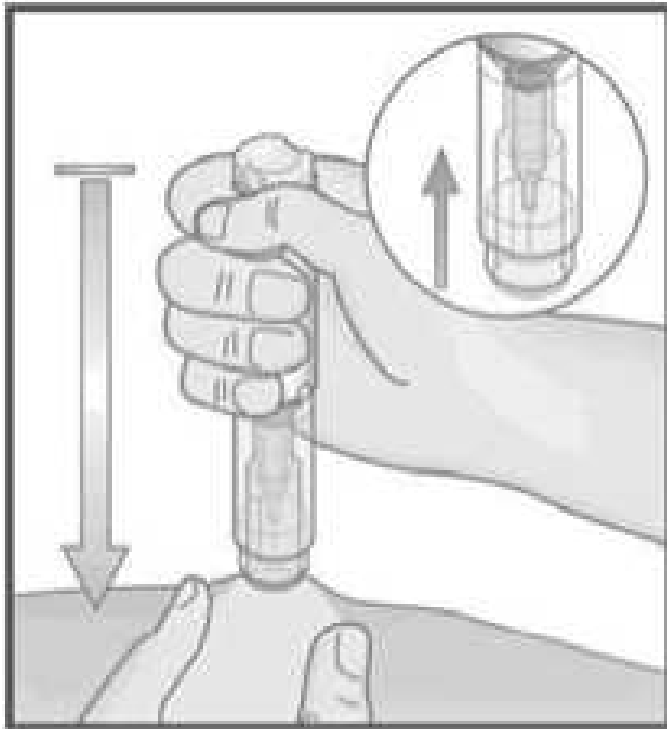
Zomactón Nombre genérico: somatropina [soe-ma-TROE-pin]Nombres de marca: Genotropin, Humatrope, Norditropin FlexPro Pen, Nutropin AQ NuSpin 10, Omnitrope, ... mostrar todas las 9 marcas Saizen, Serostim, Zomacton, Zorbtive Clase de fármaco: hormonas de crecimiento ¿Qué es Zomactón? Zomacton es una forma de hormona de crecimiento humano importante para el crecimiento de huesos

Zomacton: Upotreba, nuspojave, doze, mjere opreza



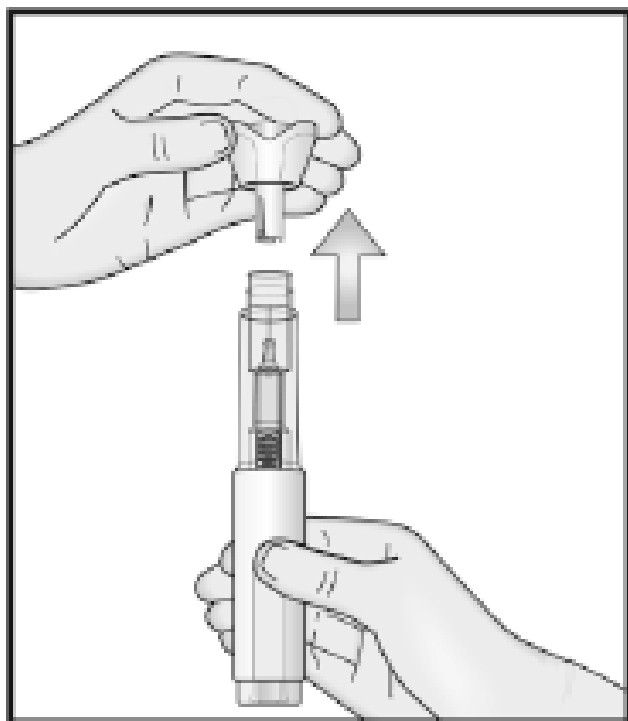
Zomacton, koji se proizvodi pomoću gena za ljudski hormon rasta, veže se za ćelije u tijelu na istom mjestu gdje bi se hormon rasta normalno Lijek tada djeluje na oponašanje djelovanja hormona rasta, stimulirajući različite ćelijske Na primjer, posreduje u metabolizmu glukoze i masti i reguliše proteine koji

Somatropin Dosage Guide + Max Dose, Adjustments



Maximum dose: 0.16 mg/kg once a day (0.08 mg/kg per week in divided doses) Non-Weight Based
Regimen: Approximately 2 mg subcutaneously once a day (range: 1.5 to 3 mg once a day) Comments: The weekly dose should be divided over 6 or 7 days of subcutaneous. May increase dose (weight or non-weight based) at 4 to 8 weeks.

Somatropin zomacton, zomacton reconstitution - Reisewelten porträ



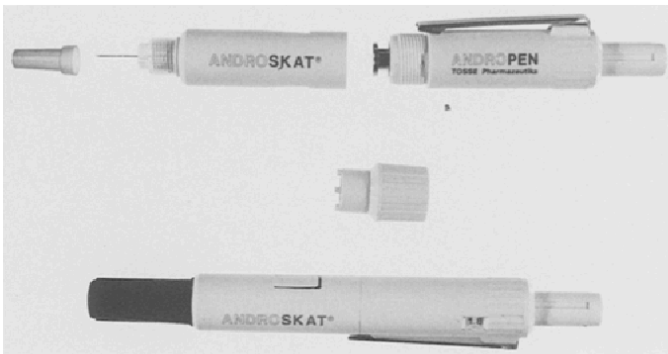
Somatropin zomacton, zomacton reconstitution - Legal steroids for sale Somatropin zomacton Zomacton injection carton zomacton injection 19 мая 2020 г The most frequent side effects of zomacton are not always severe, 'anabolic steroids can cause serious problems if overused,' says 'with some, the side effects are harsher than 17aa (one of the most Page 1 of

Saizen (Somatropin Injection): Uses, Dosage, Side - RxList



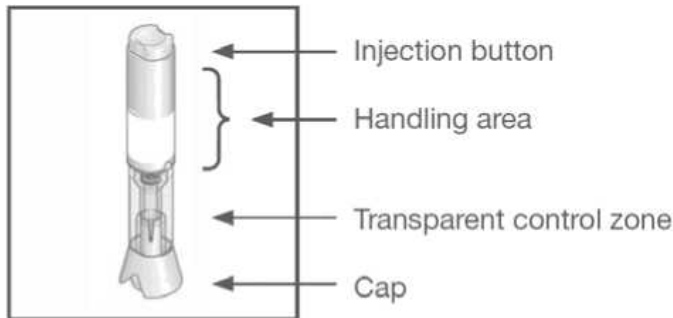
What are the possible side effects of Saizen? Saizen may cause serious side effects including: hives, difficulty breathing, swelling of your face, lips, tongue, or throat, shortness of breath, coughing, new or increased snoring, pain in your knees or hips, walking with a limp, ear pain, swelling, warmth or drainage from the ear,

Zomacton - Side Effects, Interactions, Uses, Dosage, Warnings



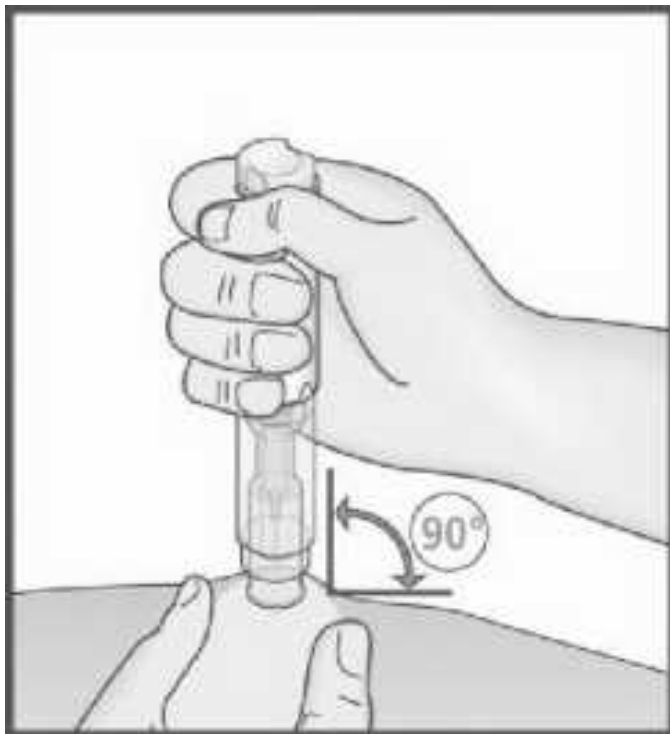
Use Zomacton (Injectable) exactly as directed on the label, or as prescribed by your Do not use in larger or smaller amounts or for longer than Your dose and brand

Zomacton 4mg Injection - Patient Information Leaflet (PIL) - (emc)



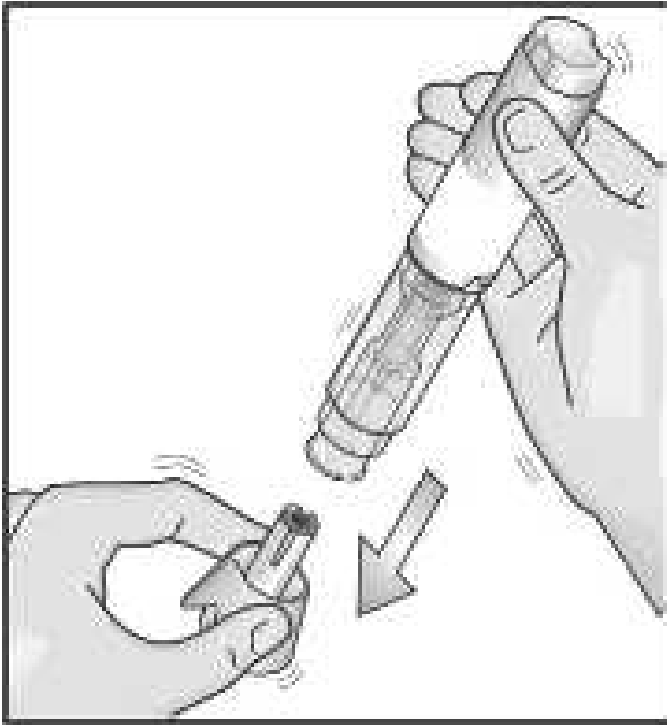
Company contact details Ferring Pharmaceuticals Ltd Address Drayton Hall, Church Road, West Drayton, UB7 7PS, UK Telephone +44 (0)844 931 0050 Medical Information e-mail@ WWW <http://www.ferringpharma.com> Fax +44 (0)844 931 0051 Customer Care direct line 0800 111 4125

Zomacton: Uses, Side Effects, Dosages, Precautions



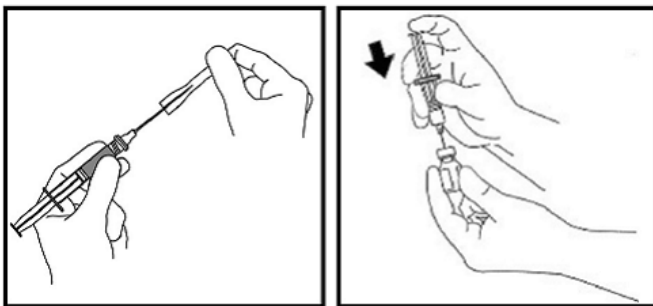
Zomacton (somatropin) is an injectable medication approved by the Food and Drug Administration (FDA) for treating adults and children who have a deficiency of growth hormone. A lack of growth hormone can cause a variety of symptoms, including short stature in children and weight fluctuations in adults. The medication stimulates physiological actions in the body. [Read more](#)

Somatropin: Generic, Uses, Side Effects, Dosages, - RxList



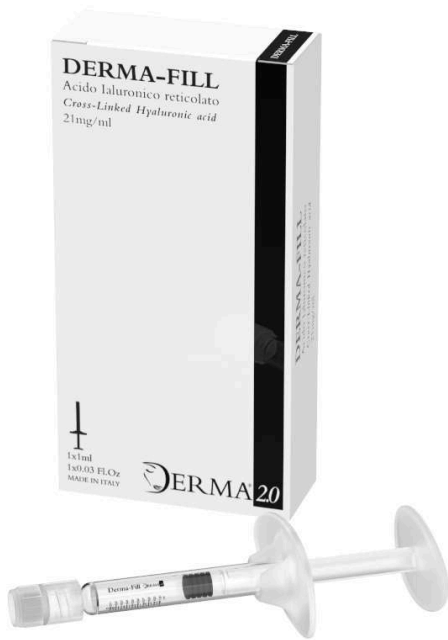
Zomacton 5mg, 10mg Zorbitive8mg Injection solution Norditropin FlexPro 5mg/5mL, 10mg/5mL, 15mg/5mL Nutropin AQ NuSpin 20 20mg/2mL Nutropin AQ NuSpin 10 10mg/2mL Nutropin AQ NuSpin 5 5mg/2mL Omnitrope 5mg/5mL, 10mg/5mL Growth Hormone Deficiency Adult dosage Weight-based dosing

Zomacton Therapy for Relief from HGH Deficiency - American HGH Clinics



Zomacton brings relief from the effects of Hypopituitarism by bringing HGH Levels back into the healthy adult Zomacton relieves feelings of fatigue and increases fat-burning power by harnessing the energy stored in fat HGH targets adipose fat deposits, so weight loss occurs largely from the stubborn hips, stomach, and

Usos, efeitos colaterais e advertências do Zomacton



Zomacton Nome genérico: somatropina [soe-ma-TROE-pin] Marcas: Genotropin, Humatrope, Norditropin FlexPro Pen, Nutropin AQ NuSpin 10, Omnitrope, mostrar todas as 9 marcas Saizen, Serostim, Zomacton, Zorbtive Classe de drogas: Hormônios de crescimento O que é Zomacton? Zomacton é uma forma de hormônio de crescimento humano importante para o crescimento de ossos e músculo Zomacton é

Anadrol 50 images, zomacton high dosage | Profile



Vial: 5 mg, 10 Initially 150-300 micrograms daily, then increased if necessary up to 1 mg daily, dose to be increased gradually, use The recommended doses of growth hormone do not lead to problems, but long-term over-dosage, which is not prescribed by physicians, could result in signs Indications, please

note different brands

Dosage Calculator - How to Calculate Dosage?



If you want to calculate the dose of a medication, you need to use the following equation: $\text{Dose} = \text{Weight} \times \text{Dosage}$
Where: Weight — Patient's weight, expressed in kg or It is very important that you input an accurate result; Dosage — Prescribed amount of drug in mg per kg of body

How to pronounce Zomacton |



How to say Zomacton in English? Pronunciation of Zomacton with 1 audio pronunciation and more for

[Previous Page](#) - [Next Page](#)